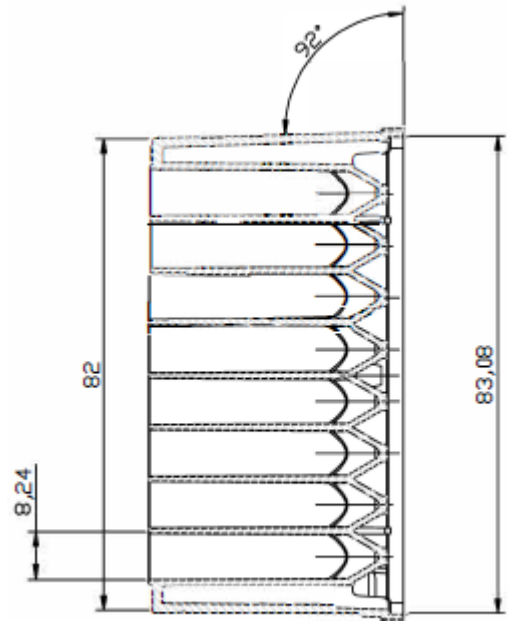
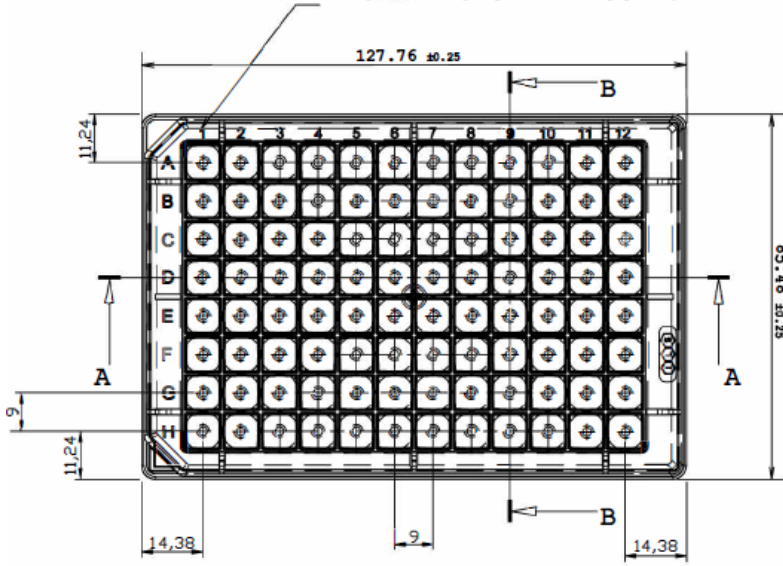


iST-407 2.0ml 96 Square Well Pyramid Bottoms Plate

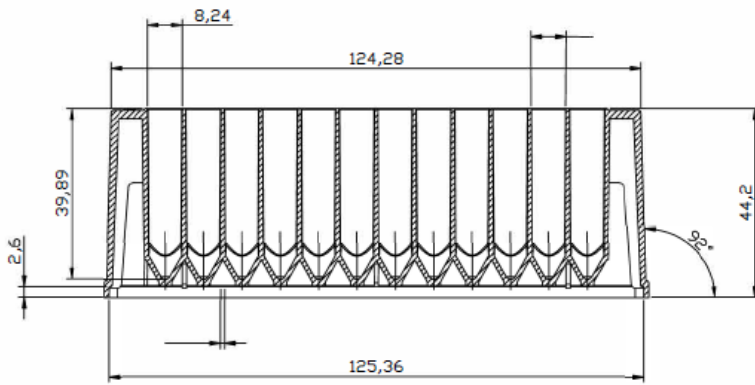
PRODUCT SPECIFICATIONS

Catalog Numbers:	IST-407-096MP IST-407-096TP	Pk of 50 Pk of 10	NON-STERILE NON-STERILE
Product Description:	<ul style="list-style-type: none">- Working Volume of 2.0ml- Square well with 'V' bottom for maximum liquid extraction or round well with 'U' bottom- High uniformity from well to well- Raised well rims for reliable closing with heat sealing- Easy and reliable stacking- Good centrifugation stability up to 6,000 x g for faster protocols and improved sample quality- Manufactured under DNase / RNase free environment without slip agents, plasticizers or biocides – materials which could have a negative effect on bioassays- Pure, virgin polypropylene guarantees good extractable performance, high resistance to chemicals, good mechanical stress and working with temperature extremes.- Autoclavable (121°C, 20 min)		
Product Dimensions:	Length: 127.8mm Width: 85.5mm Height: 44.2mm		
Packaging:	10 plates per pack 5 packs per case (50 plates total)		
Performance Testing:	Each manufacturing lot is sampled and tested in accordance with Standard Operating Procedures.		

ENGRAVING ON THE OUT SIDE



Sect. B-B



Sect. A-A



WolfLabs

Pricing on any accessories shown can be found by keying the part number into the search box on our website.

The specifications listed in this brochure are subject to change by the manufacturer and therefore cannot be guaranteed to be correct. If there are aspects of the specification that must be guaranteed, please provide these to our sales team so that details can be confirmed.

www.wolflabs.co.uk

Tel : 01759 301142

Fax : 01759 301143

sales@wolflabs.co.uk

Please contact us if this literature doesn't answer all your questions.